

# Replacement Parts List

**Notes:** \*Important safety notice:

 Components identified by  $\Delta$  mark have special characteristics important for safety.

Furthermore, special parts which have purposes of fire-retardant (resistors), high-quality sound (capacitors), low-noise (resistors), etc. are used.

When replacing any of components, be sure to use only manufacturer's specified parts shown in the parts list.

\*The parenthesized indications in the Remarks columns specify the areas. (Refer to the cover page for area.)

Parts without these indications can be used for all areas.

Ref. No.	Part No.	Part Name & Description	Remarks	Ref. No.	Part No.	Part Name & Description	Remarks
		INTEGRATED CIRCUIT(S)		Q902-904	2SC3311A-Q	TRANSISTOR	
				Q905	UN411FTA	TRANSISTOR	
				Q906	2SC3311A-Q	TRANSISTOR	
IC101	LA1832MH-TEL	IC, FM/AM IF AMP.		Q907	UN4119	TRANSISTOR	
IC102	LC7218M-TE-L	IC, PLL FREQ. SYNTHESIZER		Q908	2SD2144S	TRANSISTOR	
IC201	AN6558SFE2	IC, PHONO EQ AMP.	(E, EG)			DIODE(S)	
IC202	NJU7313AMT2	IC, INPUT SELECTOR					
IC203	M5219FPTA	IC, BUFFER AMP		D101	MA4051MTA	DIODE	$\Delta$
IC301	M62422FPE1	IC, DIGITAL SOUND CONT		D102	MA165	DIODE	
IC302	M62425FPE1	IC, ELECTRONIC VOLUME		D251	MA29WATA	DIODE	
IC550	LC7073M-TLM	IC, SYNCHRO ERROR CORRECTION	(EG)	D301	MA4051-L	DIODE	$\Delta$
IC551	LA2230M-TE-L	IC, RDS DECODER	(EG)	D302	MA165	DIODE	
IC552	LC65104AAF75	IC, MICRO COMPUTER	(EG)	D504	MA4082MTA	DIODE	$\Delta$
IC901	M38197MA113F	IC, SYSTEM CONTROL/FL DRIVE		D550	MA165	DIODE	(EG)
		TRANSISTOR(S)		D551	MA165	DIODE	(EG)
				D552	MA4051MTA	DIODE	(EG) $\Delta$
Q101, 102	2SC2787L	TRANSISTOR		D553	MA165	DIODE	(EG)
Q103, 104	2SC2785FE	TRANSISTOR		D601-604	RL1N4003N02	DIODE	$\Delta$
Q106	UN411FTA	TRANSISTOR	(E, GC)	D605	MA165	DIODE	
Q106	UN4111AITA	TRANSISTOR	(EG)	D606, 607	MA719TA	DIODE	
Q107, 108	2SC3311ARSTA	TRANSISTOR		D609	MA4075HTA	DIODE	$\Delta$
Q110	2SC3311ARSTA	TRANSISTOR	(EG)	D610	MA4082LTA	DIODE	$\Delta$
Q191-193	2SC3311ARSTA	TRANSISTOR	(E)	D611, 612	RL1N4003N02	DIODE	$\Delta$
Q251, 252	2SD2144S	TRANSISTOR		D613, 614	MA185TA	DIODE	$\Delta$
Q304	2SD2144S	TRANSISTOR		D615	MA4051MTA	DIODE	$\Delta$
Q305, 306	2SC3311A-Q	TRANSISTOR		D616	MA4062-H	DIODE	$\Delta$
Q307, 308	2SD2144S	TRANSISTOR		D617	MA4300M	DIODE	$\Delta$
Q309, 310	UN4115	TRANSISTOR		D618-621	MA185TA	DIODE	$\Delta$
Q312, 313	2SA1309A-R	TRANSISTOR		D622	MA4039MTA	DIODE	$\Delta$
Q315, 316	2SC3311A-Q	TRANSISTOR		D631	MA700TA	DIODE	
Q317	UN4115	TRANSISTOR		D632	MA165	DIODE	
Q503	2SC3940AQSTA	TRANSISTOR	$\Delta$	D651, 652	MA165	DIODE	
Q550	UN4211	TRANSISTOR	(EG)	D901, 902	MA165	DIODE	
Q551	UN4211	TRANSISTOR	(EG)	D903	SPR505MDTT	LED	
Q552	UN4111	TRANSISTOR	(EG)	D910-912	1SS291TA	DIODE	
Q601	2SD2137PQTA	TRANSISTOR	$\Delta$	D934	MA165	DIODE	(E, EG)
Q602	2SB1417PQTA	TRANSISTOR	$\Delta$	D939	MA165	DIODE	(EG)
Q603	2SD2137PQTA	TRANSISTOR	$\Delta$	D940	MA165	DIODE	(E)
Q604	2SD2144S	TRANSISTOR		D941	MA165	DIODE	(EG, GC)
Q605	2SD2137PQTA	TRANSISTOR	$\Delta$			COMPONENT COMBINATION(S)	
Q606	2SB621A-R	TRANSISTOR	$\Delta$				
Q607	UN4213AITA	TRANSISTOR		Z101	RLA2Z002M-T	COMPONENT COMBINATION	(EG, GC)
Q608	UN4111	TRANSISTOR		Z102	RLI2Z006M-T	COMPONENT COMBINATION	
Q614	2SB1417PQTA	TRANSISTOR	$\Delta$	Z120	RAL0006	FM FRONT END	(E, GC)
Q901	UN4214TA	TRANSISTOR					

Ref. No.	Part No.	Part Name & Description	Remarks	Ref. No.	Part No.	Part Name & Description	Remarks
Z120	RAL0019	FM FRONT END	(EG)				
Z191	RLA6Z005M-T	COMPONENT COMBINATION	(E)			CONNECTOR(S)	
Z901	RCDHC-278N	REMOTE SENSOR					
		COIL(S)		CN101A	RJT057W007-1	CONNECTOR(7P)	
L101	ELESNR68MA	COIL		CN101B	RJU057W007	SOCKET(7P)	
L103	ELEXTR47MA9	COIL		CN102A	RJT057W007-1	CONNECTOR(7P)	
L104	ELEXT1R0KA9	COIL	(EG)	CN102B	RJU057W007	SOCKET(7P)	
L105, 106	ELELN822KL	COIL		CN501A	RJT057W007-1	CONNECTOR(7P)	(EG)
L151	SLM1B10M-1M	COIL	(EG)	CN501B	RJU057W007	SOCKET(7P)	(EG)
L191	ELESNR68MA	COIL		CN901A	RJS1A6820	CONNECTOR(20P)	
L550	ELEXT101KA9	COIL	(EG)	CN902A	RJS1A6820	CONNECTOR(20P)	
L551	ELEXT101KA9	COIL	(EG)	CN901B	RJS1A6820	CONNECTOR(20P)	
L552	ELEXT101KA9	COIL	(EG)	CN902B	RJS1A6820	CONNECTOR(20P)	
L901	RLQA100JT-Y	COIL				EARTH TERMINAL(S)	
		FILTER(S)		E601, 602	SNE1D04-2	GND PLATE	
CF201, 202	RLFFETWND01M	CERAMIC FILTER	(E, GC)			RELAY	
CF201, 202	RLFFETMGD01L	CERAMIC FILTER	(EG)	RL601	RSY0017M-0	RELAY	△
		OSCILLATOR(S)				JACK(S)	
X101	RSXZ456KM07M	OSCILLATOR(456KHz)		JK101	RJH5404M	EXT ANT	(GC)
X102	RLFDGT05DD	OSCILLATOR(10. 65MHz)		JK101	RJH5210M	EXT ANT	(E, EG)
X103	RSXC7M20S05T	OSCILLATOR(7. 2MHz)		JK201	SJF3068-7N	EXT OUT	
X550	RVBCST4R00MT	OSCILLATOR(4MHz)	(EG)	JK202	SJF3069-5N	EXT IN/PHONO(AUX)	
X551	RSXZ456KM07M	OSCILLATOR(456KHz)	(EG)	JK601	RJT065K15	CONNECTOR(15P)	
X552	RVBCST4R00MT	OSCILLATOR(4MHz)	(EG)	JK602	RJT065K19	CONNECTOR(19P)	
X901	RSXC4M19S02T	OSCILLATOR(4. 19MHz)		JK603	RJT065K20	CONNECTOR(20P)	
		DISPLAY TUBE				VARIABLE RESISTOR	
FL901	RSL0206-F	DISPLAY TUBE		VR550	EVNDCBA03B53	VARIABLE RESISTOR RDS ADJ.	(EG)
		SWITCH(ES)					
S901	EVQ21405R	SW, FM					
S902	EVQ21405R	SW, AM(MW/LW)					
S903	EVQ21405R	SW, TUNING MODE					
S904	EVQ21405R	SW, TIMER CLOCK					
S905	EVQ21405R	SW, SET					
S906	EVQ21405R	SW, TUNING/TIMER DOWN					
S907	EVQ21405R	SW, TUNING/TIMER UP					
S911	EVQ21405R	SW, PTY SEARCH	(EG)				
S912	EVQ21405R	SW, PTY SEL	(EG)				
S913	EVQ21405R	SW, DISP MODE	(EG)				
S915	EVQ21405R	SW, KARAOKE					
S916	EVQ21405R	SW, PLAY					
S917	EVQ21405R	SW, REC					
S918	EVQ21405R	SW, SELECTOR INC					

Notes : \* Capacity values are in microfarads ( $\mu\text{F}$ ) unless specified otherwise, P=Pico-farads ( $\text{pF}$ ) F=Farads (F)  
 \* Resistance values are in ohms, unless specified otherwise, 1K=1,000(OHM) , 1M=1,000k(OHM)

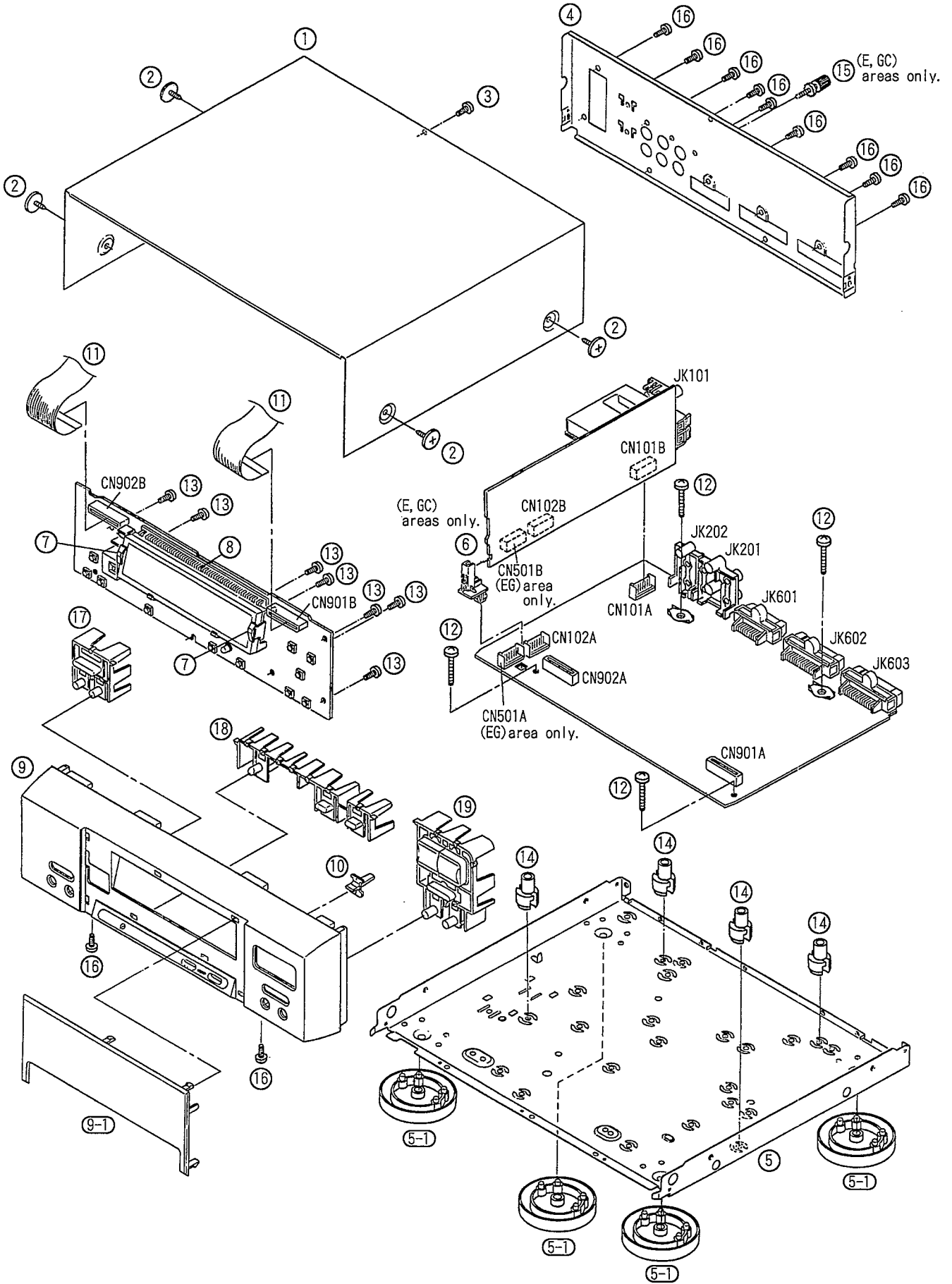
Ref. No.	Part No.	Values & Remarks	Ref. No.	Part No.	Values & Remarks	Ref. No.	Part No.	Values & Remarks
		RESISTORS	R193	ERDS2TJ182	1/4W 1.8K (E)	R350	ERDS2TJ105T	1/4W 1M
			R194	ERDS2TJ122	1/4W 1.2K (E)	R351	ERDS2TJ222	1/4W 2.2K
			R195	ERDS2TJ222	1/4W 2.2K (E)	R352	ERDS2TJ182	1/4W 1.8K
R103	ERDS2TJ271	1/4W 270 (E, GC)	R201, 202	ERDS2TJ102	1/4W 1K (E, EG)	R353, 354	ERDS2TJ102	1/4W 1K
R103	ERDS2TJ101T	1/4W 100 (EG)	R201, 202	ERDS2TJ752T	1/4W 7.5K (GC)	R355, 356	ERDS2TJ104	1/4W 100K
R104	ERDS2TJ822	1/4W 8.2K (E, GC)	R203, 204	ERDS2TJ473	1/4W 47K (E, EG)	R357	ERDS2TJ105T	1/4W 1M
R104	ERDS2TJ103T	1/4W 10K (EG)	R203, 204	ERDS2TJ562T	1/4W 5.6K (GC)	R358	ERDS2TJ100	1/4W 10
R105	ERDS2TJ471	1/4W 470	R205, 206	ERDS2TJ331	1/4W 330 (E, EG)	R359, 360	ERDS2TJ224T	1/4W 220K
R106	ERDS2TJ474	1/4W 470K	R207, 208	ERDS2TJ271	1/4W 270 (E, EG)	R361	ERDS2TJ102	1/4W 1K
R107	ERDS2TJ331	1/4W 330	R209, 210	ERDS2TJ184T	1/4W 180K (E, EG)	R362	ERDS2TJ223	1/4W 22K
R108	ERDS2TJ474	1/4W 470K	R211, 212	ERDS2TJ123	1/4W 12K (E, EG)	R363, 364	ERDS2TJ473	1/4W 47K
R109	ERDS2TJ331	1/4W 330	R213, 214	ERDS2TJ680T	1/4W 68 (E, EG)	R365	ERDS2TJ102	1/4W 1K
R110	ERDS2TJ102	1/4W 1K	R215, 216	ERDS2TJ272T	1/4W 2.7K (E, EG)	R371, 372	ERDS2TJ100	1/4W 10
R112	ERDS2TJ104	1/4W 100K	R217, 218	ERDS2TJ392T	1/4W 3.9K (E, EG)	R373, 374	ERDS2TJ224T	1/4W 220K
R113	ERDS2TJ103	1/4W 10K	R219, 220 $\Delta$	ERDS1FVJ221T	1/2W 220 (E, EG)	R375	ERDS2TJ103	1/4W 10K
R114	ERDS2TJ562	1/4W 5.6K	R221, 222	ERDS2TJ752T	1/4W 7.5K	R376	ERDS2TJ223	1/4W 22K
R115	ERDS2TJ561	1/4W 560	R223, 224	ERDS2TJ562	1/4W 5.6K	R378, 379	ERDS2EJ121	1/4W 120
R116	ERDS2TJ102	1/4W 1K	R225, 226	ERDS2TJ472	1/4W 4.7K	R380	ERDS2TJ102	1/4W 1K
R117	ERDS2TJ273	1/4W 27K (E, GC)	R227, 228	ERDS2TJ332	1/4W 3.3K	R381	ERDS2TJ223	1/4W 22K
R117	ERDS2TJ823T	1/4W 82K (EG)	R229-231	ERDS2TJ222	1/4W 2.2K	R382	ERDS2TJ105T	1/4W 1M
R118	ERDS2TJ562	1/4W 5.6K	R233, 234	ERDS2TJ223	1/4W 22K	R383	ERDS2TJ472	1/4W 4.7K
R119	ERDS2TJ682T	1/4W 6.8K (E, GC)	R235, 236	ERDS2TJ822	1/4W 8.2K	R391, 392	ERDS2TJ222	1/4W 2.2K
R119	ERDS2TJ183T	1/4W 18K (EG)	R237, 238	ERDS2TJ123	1/4W 12K	R393, 394	ERDS2TJ100	1/4W 10
R120	ERDS2TJ473	1/4W 47K	R239, 240	ERDS2TJ102	1/4W 1K	R396	ERDS2TJ102	1/4W 1K
R121	ERDS2TJ332	1/4W 3.3K	R251, 252	ERDS2TJ222	1/4W 2.2K	R397, 398	ERDS2TJ150T	1/4W 15
R122	ERDS2TJ272T	1/4W 2.7K	R253	ERDS2TJ223	1/4W 22K	R399	ERDS2TJ105T	1/4W 1M
R124	ERDS2TJ271	1/4W 270	R254	ERDS2TJ222	1/4W 2.2K	R451	ERDS2TJ102	1/4W 1K
R125, 126	ERDS2TJ152	1/4W 1.5K	R301, 302	ERDS2TJ222	1/4W 2.2K	R506	ERDS2TJ152	1/4W 1.5K
R127	ERDS2TJ103	1/4W 10K	R303	ERDS2TJ102	1/4W 1K	R507	ERDS2TJ331	1/4W 330
R128	ERDS2TJ820	1/4W 82	R305-307	ERDS2TJ100	1/4W 10	R508, 509	ERDS2TJ682T	1/4W 6.8K
R129	ERDS2TJ473	1/4W 47K	R308, 309	ERDS2TJ223	1/4W 22K	R511, 512	ERDS2TJ122	1/4W 1.2K
R130	ERDS2TJ103	1/4W 10K	R310	ERDS2TJ102	1/4W 1K	R550	ERDS2TJ564T	1/4W 560K (EG)
R132	ERDS2TJ103	1/4W 10K	R315, 316	ERDS2TJ102	1/4W 1K	R551	ERDS2TJ223T	1/4W 22K (EG)
R133-137	ERDS2TJ102	1/4W 1K	R317-320	ERDS2TJ471	1/4W 470	R552	ERDS2TJ103T	1/4W 10K (EG)
R138	ERDS2TJ103	1/4W 10K	R323-326	ERDS2TJ103	1/4W 10K	R553	ERDS2TJ102T	1/4W 1K (EG)
R139, 140	ERDS2TJ272T	1/4W 2.7K	R327-330	ERDS2TJ102	1/4W 1K	R554	ERDS2TJ102T	1/4W 1K (EG)
R141, 142	ERDS2TJ102	1/4W 1K	R331, 332	ERDS2TJ222	1/4W 2.2K	R555	ERDS2TJ104T	1/4W 100K (EG)
R143, 144	ERDS2TJ222	1/4W 2.2K	R333	ERDS2TJ104	1/4W 100K	R556	ERDS2TJ332T	1/4W 3.3K (EG)
R145, 146	ERDS2TJ102	1/4W 1K (E, GC)	R334	ERDS2TJ102	1/4W 1K	R557	ERDS2TJ103T	1/4W 10K (EG)
R145, 146	ERDS2TJ821	1/4W 820 (EG)	R335	ERDS2TJ104	1/4W 100K	R558	ERDS2TJ102T	1/4W 1K (EG)
R147, 148	ERDS2TJ474	1/4W 470K	R336	ERDS2TJ223	1/4W 22K	R559	ERDS2TJ562T	1/4W 5.6K (EG)
R149	ERDS2TJ680T	1/4W 68	R337, 338	ERDS2TJ391	1/4W 390	R560	ERDS2TJ820T	1/4W 82 (EG)
R171, 172	ERDS2TJ102	1/4W 1K	R339, 340	ERDS2TJ122	1/4W 1.2K	R562	ERDS2TJ473T	1/4W 47K (EG)
R173	ERDS2TJ471	1/4W 470	R341, 342	ERDS2TJ104	1/4W 100K	R563	ERDS2TJ332T	1/4W 3.3K (EG)
R175	ERDS2TJ102	1/4W 1K	R343	ERDS2TJ105T	1/4W 1M	R564	ERDS2TJ155T	1/4W 1.5M (EG)
R176	ERDS2TJ391	1/4W 390	R344	ERDS2TJ102	1/4W 1K	R565	ERDS2TJ332T	1/4W 3.3K (EG)
R177	ERDS2TJ472T	1/4W 4.7K (EG)	R345, 346	ERDS2TJ104	1/4W 100K	R566	ERDS2TJ332T	1/4W 3.3K (EG)
R191	ERDS2TJ103	1/4W 10K (E)	R347, 348	ERDS2TJ102	1/4W 1K	R567	ERDS2TJ332T	1/4W 3.3K (EG)
R192	ERDS2TJ122	1/4W 1.2K (E)	R349	ERDS2TJ104	1/4W 100K	R568	ERDS2TJ101T	1/4W 100 (EG)

Ref. No.	Part No.	Values & Remarks	Ref. No.	Part No.	Values & Remarks	Ref. No.	Part No.	Values & Remarks
R569	ERDS2TJ101T	1/4W 100 (EG)	R935	ERDS2TJ102	1/4W 1K	C115	ECEA1EKA4R7B	25V 4.7U
R570	ERDS2TJ101T	1/4W 100 (EG)	R936	ERDS2TJ101	1/4W 100	C116	ECBT1C822KS5	16V 8200P
R571	ERDS2TJ101T	1/4W 100 (EG)	R938	ERDS2TJ102	1/4W 1K	C117	ECQB1H102JF3	50V 1000P (E, EG)
R572	ERDS2TJ103T	1/4W 10K (EG)	R939	ERDS2TJ101	1/4W 100	C117	ECQB1H561JF3	50V 560P (EG)
R573	ERDS2TJ471T	1/4W 470 (EG)	R940, 941	ERDS2TJ393	1/4W 39K	C118, 119	ECFRIC103KR	16V 0.01U
R574, 575	ERDS2TJ102	1/4W 1K (EG)	R942	ERDS2TJ562	1/4W 5.6K	C120, 121	ECEA1HKA010B	50V 1U
R576	ERDS2TJ102	1/4W 1K (EG)	R943	ERDS2TJ223	1/4W 22K	C122	ECEA1HKA2R2B	50V 2.2U
R601, 602△	ERD2FCVJ4R7T	1/4W 4.7	R944	ERDS2TJ473	1/4W 47K	C123	ECEA1HKA010B	50V 1U
R603, 604	ERDS2TJ102	1/4W 1K	R945, 946	ERDS2TJ102	1/4W 1K	C124	ECBT1H102KB5	50V 1000P
R605	ERDS2TJ101	1/4W 100	R947, 948	ERDS2TJ103	1/4W 10K	C125	ECBT1H150JC5	50V 15P
R606, 607	ERDS2TJ393	1/4W 39K	R949	ERDS2TJ472	1/4W 4.7K	C126	ECBT1H473ZF5	50V 0.047U
R609 △	ERD25FJ2R2	1/4W 2.2	R950	ERDS2TJ102	1/4W 1K	C127	RCE1CKA220BG	16V 22U
R610	ERDS2TJ332	1/4W 3.3K	R951	ERDS2TJ104	1/4W 100K	C128	ECBT1H102KB5	50V 1000P
R612	ERDS2TJ472	1/4W 4.7K	R952, 953	ERDS2TJ102	1/4W 1K	C129, 130	RCE0JKA101BV	6.3V 100P
R613, 614	ERDS2TJ682T	1/4W 6.8K	R954	ERDS2TJ101	1/4W 100	C132	ECBT1H102KB5	50V 1000P
R615	ERDS2TJ103	1/4W 10K	R955	ERDS2TJ824	1/4W 820K	C133, 134	ECBT1H270JU5	50V 27P
R616 △	ERD25FVJ4R7T	1/4W 4.7	R956	ERDS2TJ101	1/4W 100	C135, 136	ECBT1C103KS5	16V 0.01U
R621, 622	ERDS2TJ151	1/4W 150	R957	ERDS2TJ102	1/4W 1K	C137, 138	ECBT1H561KB5	50V 560P
R623, 624	ERDS2TJ682	1/4W 6.8K	R958	ERDS2TJ471	1/4W 470	C139, 140	ECBT1C562KR5	16V 5600P (E, EG)
R631-634	ERDS2TJ102	1/4W 1K	R959	ERDS2TJ103	1/4W 10K	C139, 140	ECBT1C682KR5	16V 6800P (EG)
R635, 636	ERDS2TJ222	1/4W 2.2K	R960	ERDS2TJ472	1/4W 4.7K	C141-144	ECEA1HKA010B	50V 1U
R637	ERDS2TJ100	1/4W 10	R961	ERDS2TJ103	1/4W 10K	C145	ECBT1H220JC5	50V 22P
R638	ERDS2TJ103	1/4W 10K	R962	ERDS2TJ473	1/4W 47K	C148	ECBT1C103NS5	16V 0.01U
R641, 642	ERDS2TJ471	1/4W 470	R963-965	ERDS2TJ472	1/4W 4.7K	C149	ECBT1H104ZF5	50V 0.1U
R646	ERDS2TJ223	1/4W 22K	R966	ERDS2TJ123	1/4W 12K	C171, 172	ECBT1H102KB5	50V 1000P
R647	ERDS2TJ473	1/4W 47K	R967	ERDS2TJ472	1/4W 4.7K	C173	RCE1CKA220BG	16V 22P
R651-654	ERDS2TJ2R2T	1/4W 2.2	R968, 969	ERDS2TJ152	1/4W 1.5K	C174	RCE1CKA100BG	16V 10P
R655	ERDS2TJ102	1/4W 1K	R971	ERDS2TJ104	1/4W 100K	C181	ECBT1H471KB5	50V 470P (EG)
R656	ERDS2TJ221	1/4W 220	R972	ERDS2TJ820	1/4W 82	C196	ECBT1H102KB5	50V 1000P
R671	ERDS2TJ102	1/4W 1K	R973	ERDS2TJ151	1/4W 150	C201, 202	ECBT1H180J5	50V 18P
R901	ERDS2TJ821	1/4W 820	R974, 975	ERDS2TJ473	1/4W 47K	C203, 204	ECBT1H151KB5	50V 150P
R902	ERDS2TJ102	1/4W 1K	R976	ERDS2TJ272T	1/4W 2.7K	C205, 206	ECBT1H102KB5	50V 1000P (E, EG)
R903	ERDS2TJ122	1/4W 1.2K	R977	ERDS2TJ102	1/4W 1K	C207, 208	RCE1AKA330BG	10V 33 (E, EG)
R904	ERDS2TJ152	1/4W 1.5K	R978-992	ERDS2TJ104	1/4W 100K	C209, 210	ECBT0J223MS5	6.3V 0.022U (E, EG)
R905	ERDS2TJ182	1/4W 1.8K	R993-995	ERDS2TJ102	1/4W 1K	C211, 212	ECBT1C682KR5	16V 6800P (E, EG)
R906	ERDS2TJ222	1/4W 2.2K	R996	ERDS2TJ101	1/4W 100	C213, 214	RCE1CKA100BG	16V 10U (E, EG)
R907	ERDS2TJ332	1/4W 3.3K	R997-999	ERDS2TJ102	1/4W 1K	C215	ECBT1E103ZF	25V 0.01U (E, EG)
R908	ERDS2TJ223	1/4W 22K				C216	RCE1CM101BV	16V 100U (E, EG)
R909	ERDS2TJ103	1/4W 10K			CAPACITORS	C217	ECBT1E103ZF	25V 0.01U (E, EG)
R910	ERDS2TJ821	1/4W 820				C218	RCE1AKA101BG	10V 100U (E, EG)
R911	ERDS2TJ102	1/4W 1K	C101	ECBT1C103NS5	16V 0.01U	C219-222	ECBT1H101KB5	50V 100P
R912	ERDS2TJ122	1/4W 1.2K	C103	ECBT1C103NS5	16V 0.01U	C223, 224	ECBT1H104ZF5	50V 0.1U
R913	ERDS2TJ152	1/4W 1.5K	C104, 105	ECBT1H102KB5	50V 1000P	C225-227	ECBT1H470J5	50V 47P
R914	ERDS2TJ182	1/4W 1.8K	C106	ECBT1C103NS5	16V 0.01U	C231, 232	ECBT1E103ZF	25V 0.01U
R915	ERDS2TJ222	1/4W 2.2K	C107	ECBT1H473ZF5	50V 0.047U	C233, 234	ECBT1H102KB5	50V 1000P
R916-919	ERDS2TJ103	1/4W 10K	C108	ECBT1H100JC5	50V 10P (E)	C235, 236	ECBT1H101KB5	50V 100P
R920-922	ERDS2TJ102	1/4W 1K	C108	ECBT1H8R2KC5	50V 8.2P (EG, GC)	C251	RCE1CKA470BG	16V 47U
R923	ERDS2TJ391	1/4W 390	C109, 110	ECBT1C103NS5	16V 0.01U	C301, 302	ECBT1H470J5	50V 47P
R924, 925	ERDS2TJ102	1/4W 1K	C111	ECEA1EKA4R7B	25V 4.7U	C303	ECBT1E103ZF	25V 0.01U
R926	ERDS2TJ101	1/4W 100	C112	ECBT1C103NS5	16V 0.01U	C304	ECFRIC473KR	16V 0.047U
R927-933	ERDS2TJ102	1/4W 1K	C113	ECBT1H102KB5	50V 1000P	C305, 306	RCE1CKA100BG	16V 10U
R934	ERDS2TJ101	1/4W 100	C114	RCE1HKA3R3BG	50V 3.3P	C307-310	ECFRIC104KR	16V 0.1U

Ref. No.	Part No.	Values & Remarks	Ref. No.	Part No.	Values & Remarks			
C311, 312	ECFR1C123KR	16V 0.012U	C601, 602	ECKT1H223ZF	50V 0.022U			
C313, 314	ECFR1C153KR	16V 0.015U	C603 △	ECA1EM102B	25V 1000U			
C315, 316	ECBT1C332KR5	16V 3300P	C604 △	RCE1EM471BV	25V 470U			
C317, 318	ECEA1HKAR15B	50V 0.15U	C605, 606	ECBT1E103ZF	25V 0.01U			
C319, 320	ECFR1C104KR	16V 0.1U	C607	RCE1CKA100BG	16V 10U			
C321	ECBT1E103ZF	25V 0.01U	C608	RCE1CM101BV	16V 100U			
C322	ECFR1C473KR	16V 0.047U	C609	ECBT1H102KB5	50V 1000P			
C323	ECFR1C103KR	16V 0.01U	C610, 611	ECBT1H104ZF5	50V 0.1U			
C335, 336	RCE1CKA100BG	16V 10U	C612	RCE1EM471BV	25V 470U			
C337-340	RCE1CKA220BG	16V 22U	C613	ECBT1E103ZF	25V 0.01U			
C341, 342	ECEA1AKN100B	10V 10U	C614	RCE1CKA100BG	16V 10U			
C343	RCE1CKA100BG	16V 10U	C615	ECEA1EKA101B	25V 100U			
C344, 345	ECBT1H470J5	50V 47P	C616	ECA1HM470B	50V 47U			
C346	ECEA1HKAOR1B	50V 0.1U	C617 △	ECA1HM470B	50V 47U			
C347	ECEA1CN100SB	16V 10U	C618	ECA1JM470B	63V 47U			
C348	ECEA1CKA330B	16V 33U	C619	ECBT1E103ZF	25V 0.01U			
C349	RCE1HKA3R3BG	50V 3.3U	C620	RCE1VKA100BG	35V 10U			
C350	RCE0JKA470BG	6.3V 47U	C622	RCE1VKA100BG	35V 10U			
C351, 352	RCE1CKA100BG	16V 10U	C631-636	ECBT1H101KB5	50V 100P			
C353, 354	ECBT1H101KB5	50V 100P	C637	ECBT1H102KB5	50V 1000P			
C355	ECEA1CKA330B	16V 33U	C638	ECBT1H101KB5	50V 100P			
C356	ECBT1H104ZF5	50V 0.1U	C651, 652	ECBT1H104ZF5	50V 0.1U			
C357	RCE1CM101BV	16V 100U	C653, 654	ECBT1H102KB5	50V 1000P			
C361, 362	ECBT1H221KB5	50V 220P	C655	ECQV1H224JM3	50V 0.22U			
C365	RCE0JKA470BG	6.3V 47U	C901-904	ECBT1H471KB5	50V 470P			
C391, 392	RCE1CM101BV	16V 100U	C905, 906	ECBT1H102KB5	50V 1000P			
C393, 394	ECBT1H102KB5	50V 1000P	C907	ECBT1H104ZF5	50V 0.1U			
C453	ECEA1HKA010B	50V 1U	C908	ECBT1E103ZF	25V 0.01U			
C455	RCE1CKA100BG	16V 10U	C909	ECEA1HKA2R2B	50V 2.2U			
C509	ECBT1E103ZF	25V 0.01U	C910	RCE1CKA100BG	16V 10U			
C510	RCE1AKA101BG	10V 100U	C911	ECBT1H270JU5	50V 27P			
C550	RCE0JKA101BV	6.3V 100U (EG)	C912	ECBT1H220GC5	50V 22P			
C551	RCE1CKA220BG	16V 22U (EG)	C913	ECBT1H104ZF5	50V 0.1U			
C552	RCE1CKA100BG	16V 10U (EG)	C915	ECBT1E103ZF	25V 0.01U			
C553	ECEA1EKA4R7B	25V 4.7U (EG)	C916, 917	ECEA1HKA010B	50V 1U			
C554	RCE1CKA100BG	16V 10U (EG)	C918	ECBT1H104ZF5	50V 0.1U			
C555	ECEA1EKA4R7B	25V 4.7U (EG)	C919	RCE0JU102BV	6.3V 1000U			
C556	RCE1CKA100BG	16V 10U (EG)	C920	ECBT1E103ZF	25V 0.01U			
C557	ECBT1H102KB5	50V 1000P (EG)	C921	ECA0JKF101B	6.3V 100U			
C558	RCE0JKA101BV	6.3V 100U (EG)	C923	RCE0JKA221BV	6.3V 220U			
C559	ECEA1HKA010B	50V 1U (EG)	C924-926	ECBT1H102KB5	50V 1000P			
C560	ECEA1HKA010B	50V 1U (EG)	C927	ECBT1C105ZF5	16V 1U			
C561	ECFR1C223KR	16V 0.022U (EG)						
C562	ECFR1C333KR	16V 0.033U (EG)						
C563	ECFR1C333KR	16V 0.033U (EG)						
C564	ECBT1C332KR5	16V 3300P (EG)						
C565	ECBT1C682KR5	16V 6800P (EG)						
C566	ECBT1C332KR5	16V 3300P (EG)						
C567	ECBT1C103KS5	16V 0.01U (EG)						
C568	ECBT1H102KB5	50V 1000P (EG)						
C569	ECBT1H102KB5	50V 1000P (EG)						
C570	ECBT1H102KB5	50V 1000P (EG)						



# Cabinet Parts Location



993